

# THE MAGENTA CANOPY

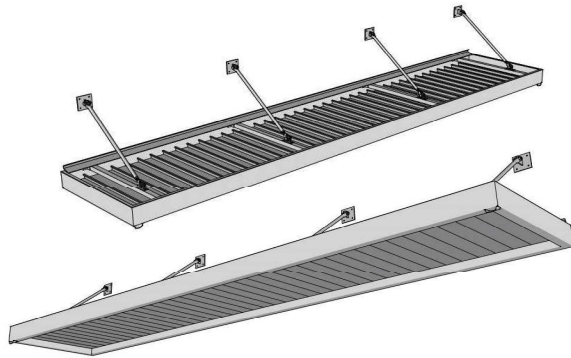


Our canopy system is the ultimate functional, yet attractive option for the shopping mall, warehouse or even office building. Designed to protect from rain as well as sun, the Magenta is the perfect product for doors and windows. Its sleek design lends a sophisticated finish to any building.

- Detailed shop drawings and submittals provided by Alumtec for each project.
- Project covered by Alumtec Architectural, and assisted throughout entire process beginning with sales, project management, shop drawings, all through delivery coordination and installation.

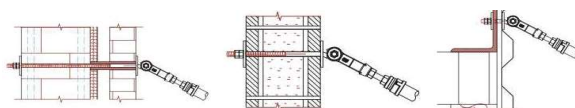
## Features of this product:

- ◆ Provides both hanger rods and cantilever mounting options.
- ◆ Product is prefabricated and ready to install to ensure speedy production
- ◆ Includes a built-in drainage system that overflows to either a downspout or the building's main drainage
- ◆ Canopy is Powder coated in many universal RAL colors.
- ◆ Maximum durability ensures protection from snow and wind load.
- ◆ Lighting options are available
- ◆ Up to 24 feet wide and up to 8 feet projection



The Magenta can be mounted to the wall in a number of ways, according to wall structure.

## Wall Mounting options



DECKING	FASCIA